

Faceted single glazed 600 Series
partitioning using O posts to create
varying angles



Head Office and Essex 020 8500 9888
email info@capitalofficepartitioning.co.uk

600 Series

Komfort partitioning product comparison chart can be
found on the inside back cover of this brochure

trustworthy

Single glazed 600 Series
with banded manifestation








600 Series

Full height single glazed 600 Series
partitioning with standard height
glass door

600 Series

600 Series is an aluminium 50mm framed
system with vertical post variations for
height up to 6 metres

Technical spec at a glance

-  **DIMENSIONS:**
Up to 6000mm high (subject to upright post)
-  **FIRE RATINGS:**
N/A
-  **ACOUSTICS:**
Solid - up to 31dB (Rw)
Double Glazed - up to 40dB (Rw)
-  **STRUCTURE:**
Light duty
-  **WEIGHT Per m² (kg):**
Solid up to 31.59
Glazed up to 35.22
-  **BLINDS:**
Yes - integral
-  **MANIFESTATION:**
Yes

Detailed 600 Series drawings can be found on
pages 12-13. In addition a partitioning product
comparison chart can be found on the inside
back cover of this brochure.

For further technical specifications and technical
drawing downloads go to - www.komfort.com

Full height glazed and solid 600 Series partitioning with doorframe, timber door and solid overpanel



Uncomplicated in design, 600 Series is slim line with a choice of crisp angular or soft radiused profiles. Through a little creativity it can evolve from a functional system, suiting most applications, to stamp its mark as a design statement.

600 Series



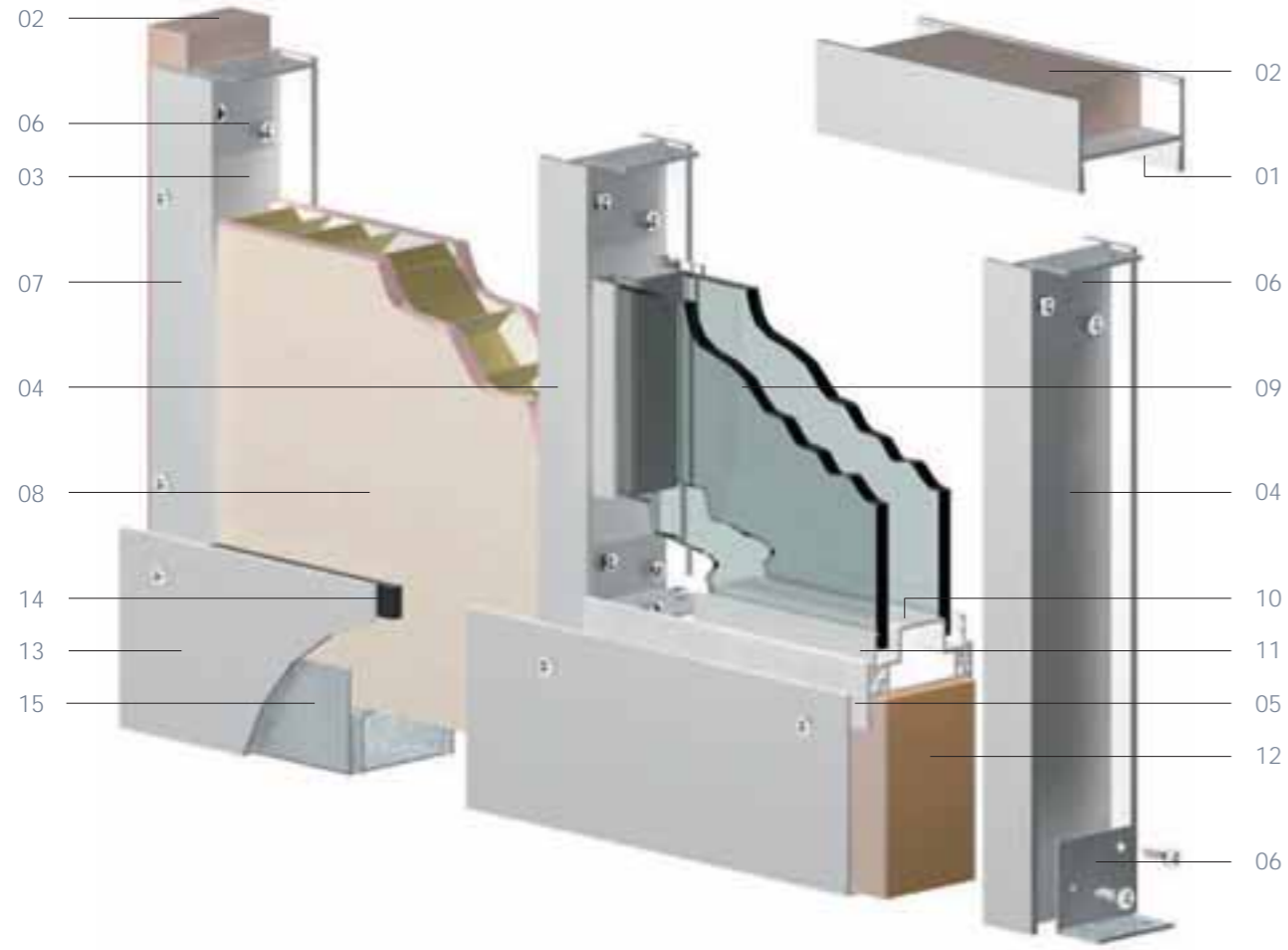
Freestanding 600 Series partitioning with glass door



135° posts to create a faceted corridor with solid and transom glazed partitioning

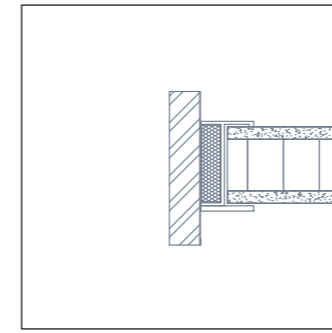


Single glazed 600 Series with vibrant banded manifestation

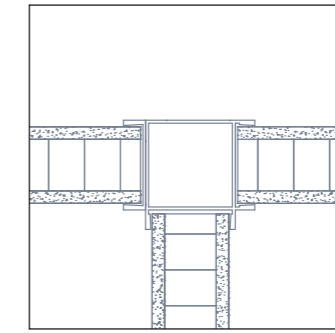


600 Series - 50mm partitioning system

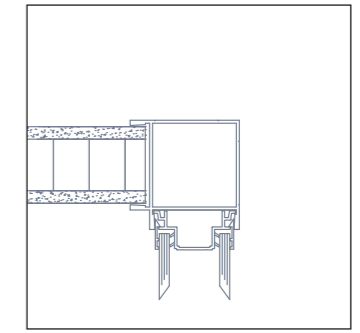
- | | |
|--------------------|------------------------------|
| 01 Head channel | 09 6mm or 6.4mm safety glass |
| 02 Abutment seal | 10 Double glazing chair |
| 03 Break down post | 11 Glazing bead |
| 04 Upright post | 12 Flaxcore strip ground |
| 05 Transom | 13 75mm or 100mm skirting |
| 06 Fixing bracket | 14 Skirting foam seal |
| 07 Flat strip | 15 2 Part floor shoe |
| 08 46mm Kompanel | |



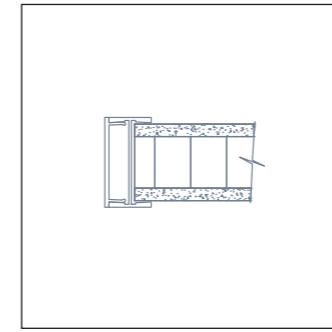
Solid abutment



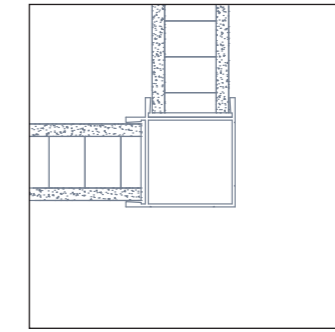
3 way solid junction



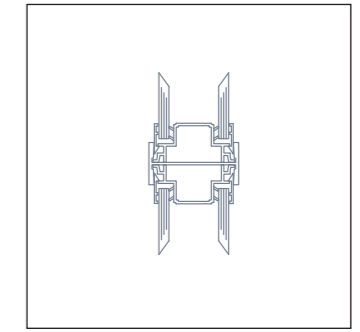
90° solid to glazed junction



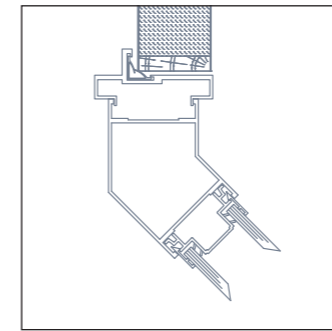
Solid fair end



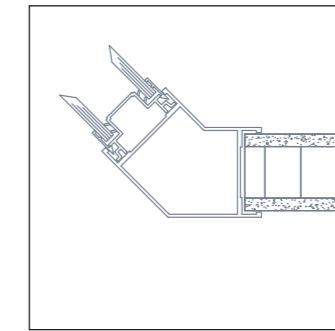
90° solid to solid junction



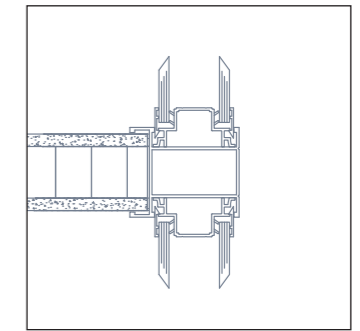
Glazed to glazed junction



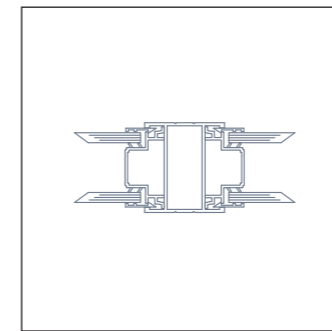
135° glazed to doorset junction



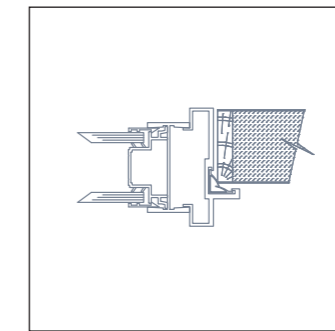
135° solid to glazed junction



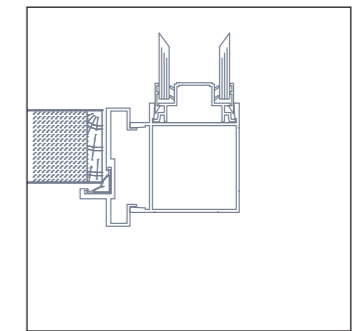
3 way glazed to solid to glazed junction



Alternative glazed to glazed junction



Glazed to doorset junction



90° glazed to doorset junction

Komfort partitioning product comparison chart can be found on the inside back cover of this brochure