

Head Office and Essex 020 8500 9888
email info@capitalofficepartitioning.co.uk

Polar Partitioning

Love the space you're in.

Komfort Workspace, our products, and you.

Our aim is to provide you, our customers with an unprecedented range of products and services.

"The space within becomes the reality of the building" - Frank Lloyd Wright

Every interior is unique. Its design has direct impact on individuals and the success of any business. This makes it so important to source the most compatible products for appearance, use of space and functionality.

We continue our on-going innovation in product design. Our partitions achieve high fire, acoustic and structural performance through stringent testing. This guarantees the safest and widest product offering for the UK's Commercial Interiors Sector. We ensure that all products are assembled and installed by professionals to the highest quality.

Komfort's Polar partitions are stylish, dynamic and technologically sophisticated. They allow light to permeate through the space they divide to nurture inspiration and collaborative working.



Partitioning Performance Comparison Chart

This fold-out chart enables you to easily compare the performance specifications and options for each of our partitioning systems shown.

This page can be folded out and viewed next to each of the technical drawing double page spreads to give you an instant visual overview of each partitioning systems construction method and junction drawings alongside the relevant performance specifications.

For further technical specifications and technical drawing downloads visit

komfort.com

Full height faceted single glazed Polar incorporating single glazed doors within standard height SJ35 doorframes and glazed overpanel



POLAR Single Glazed

Polar partitioning product comparison chart can be found on the inside back cover of this brochure

clarity

Full height single glazed Polar incorporating pivot single glazed doors with patch fixings and glazed overpanel

POLAR
Single Glazed



Full height heat soak treated
single glazed Polar to the edge
of the mezzanine floor

POLAR
Single Glazed



POLAR
Single Glazed

Full height single
glazed Polar
with full height
double timber
doors and frames




Angled single glazed
Polar to ground floor
and mezzanine


POLAR Single Glazed


Polar single glazed is a frameless dry
or silicon vertical jointed system


Technical spec at a glance


 **DIMENSIONS:**
Up to 3300mm high

 **FIRE RATINGS:**
Up to 30/30


 **ACOUSTICS:**
Up to 38dB (Rw)

 **STRUCTURE:**
Up to severe duty

 **DEFLECTION HEAD (+/-):**
YES

 **WEIGHT Per m² (kg):**
Up to 37.53

 **BLINDS:**
N/A

 **MANIFESTATION:**
Yes

Detailed Polar Single Glazed drawings can be found
on pages 16-17. In addition a partitioning product
comparison chart can be found on the inside back
cover of this brochure.

For further technical specifications and technical
drawing downloads go to - www.komfort.com

Curved single glazed
Polar with banded
manifestation



Available in straight striking lines, facets, or the most graceful curves, Polar's minimalist form exudes elegance and luxury in all kinds of surroundings.

POLAR Single Glazed



Full height single glazed Polar



Faceted single glazed Polar
incorporating standard height
Manet sliding glass door



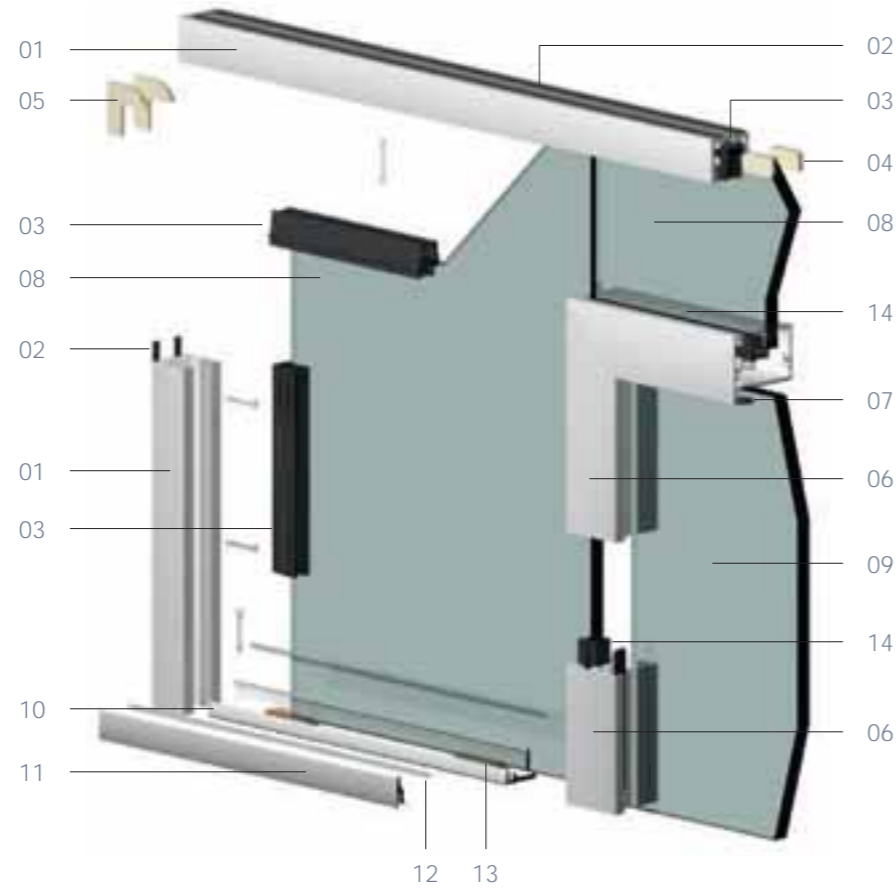
Full height curved single glazed Polar
incorporating bespoke manifestation

POLAR Single Glazed

Isometric and Junction Details

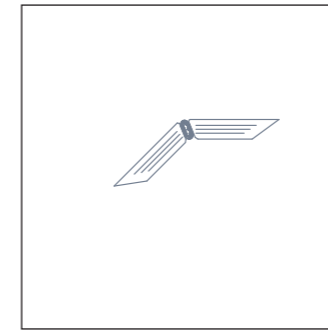
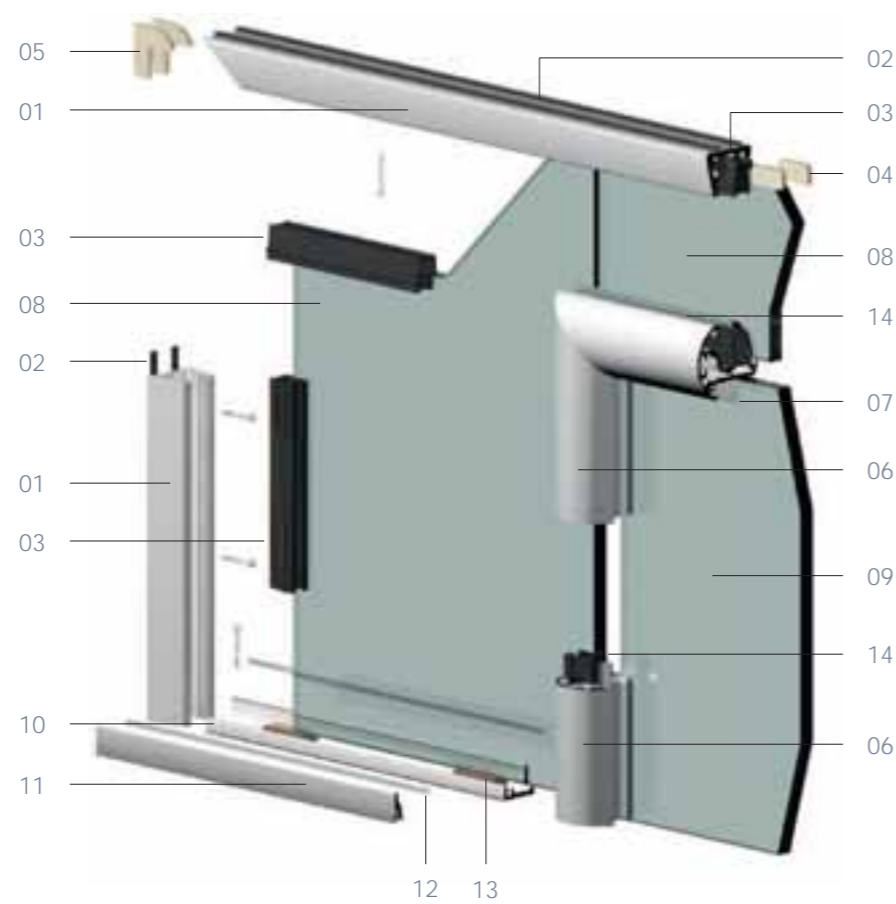
Polar Single Glazed partitioning system

- 01 Head / abutment channel
- 02 Abutment seal
- 03 PVCu glazing channel
- 04 Straight jointing cleat
- 05 90° jointing cleat
- 06 Aluminium door frame flat profile
- 07 Door frame seal
- 08 10/12mm toughened safety glass
- 09 10mm / 12mm toughened safety glass door
- 10 Base channel
- 11 Base channel leg
- 12 Glazing bead
- 13 Glass packer
- 14 Door frame glazing channel

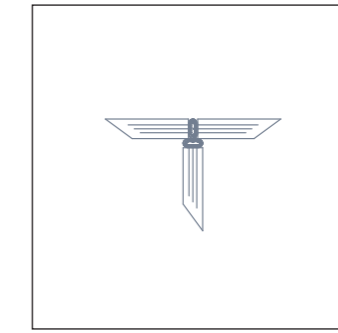


Polar Single Glazed partitioning system

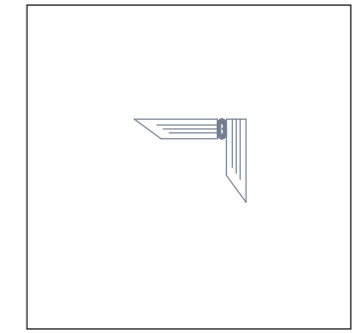
- 01 Head / abutment channel
- 02 Abutment seal
- 03 PVCu glazing channel
- 04 Straight jointing cleat
- 05 90° jointing cleat
- 06 Aluminium door frame round profile
- 07 Door frame seal
- 08 10/12mm toughened safety glass
- 09 10mm / 12mm toughened safety glass door
- 10 Base channel
- 11 Base channel leg
- 12 Glazing bead
- 13 Glass packer
- 14 Door frame glazing channel



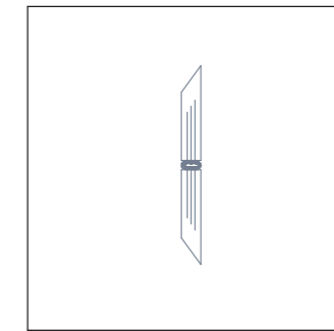
135° glazed junction



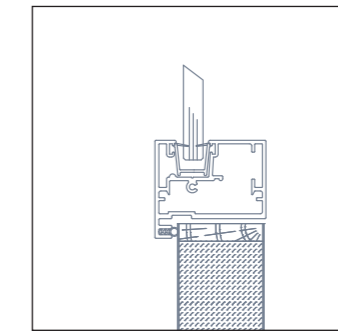
3 way glazed junction



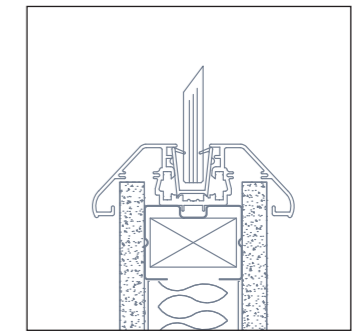
90° glazed junction



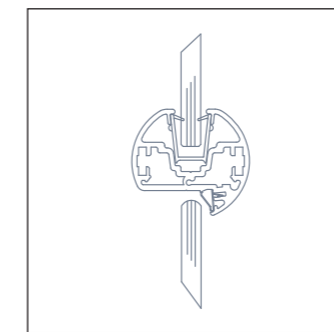
Glazed to glazed junction



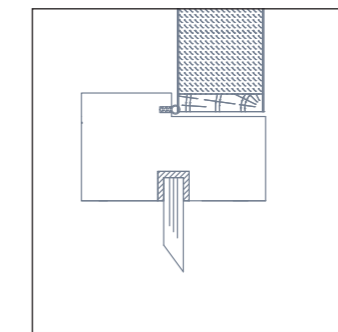
Glazed to aluminium door frame with timber door



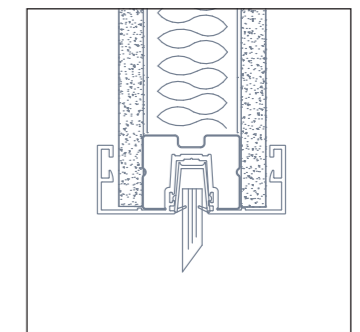
Reducer post from 75mm plasterboard partition system



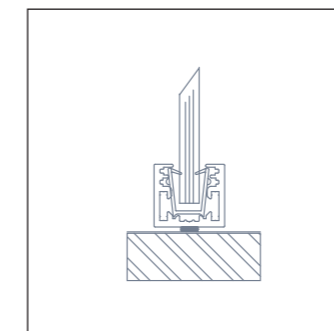
Glazed to halo aluminium door frame with glass door



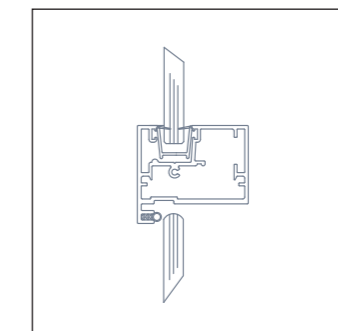
Glazed to timber door frame with timber door



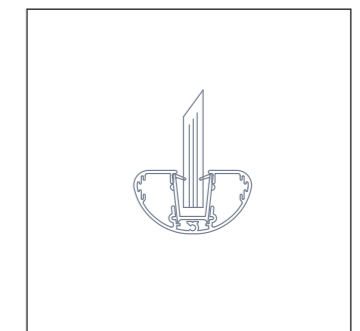
Glazing pocket from 75mm plasterboard partition system



Glazed abutment



Glazed to aluminium door frame with glass door



Glazed fair end

These drawings are for guidance only. For comprehensive information please contact our technical department

Double glazed Polar with full height DGP25 doorframe and veneered door



POLAR Double Glazed



Polar partitioning product comparison chart can be found on the inside back cover of this brochure

chic

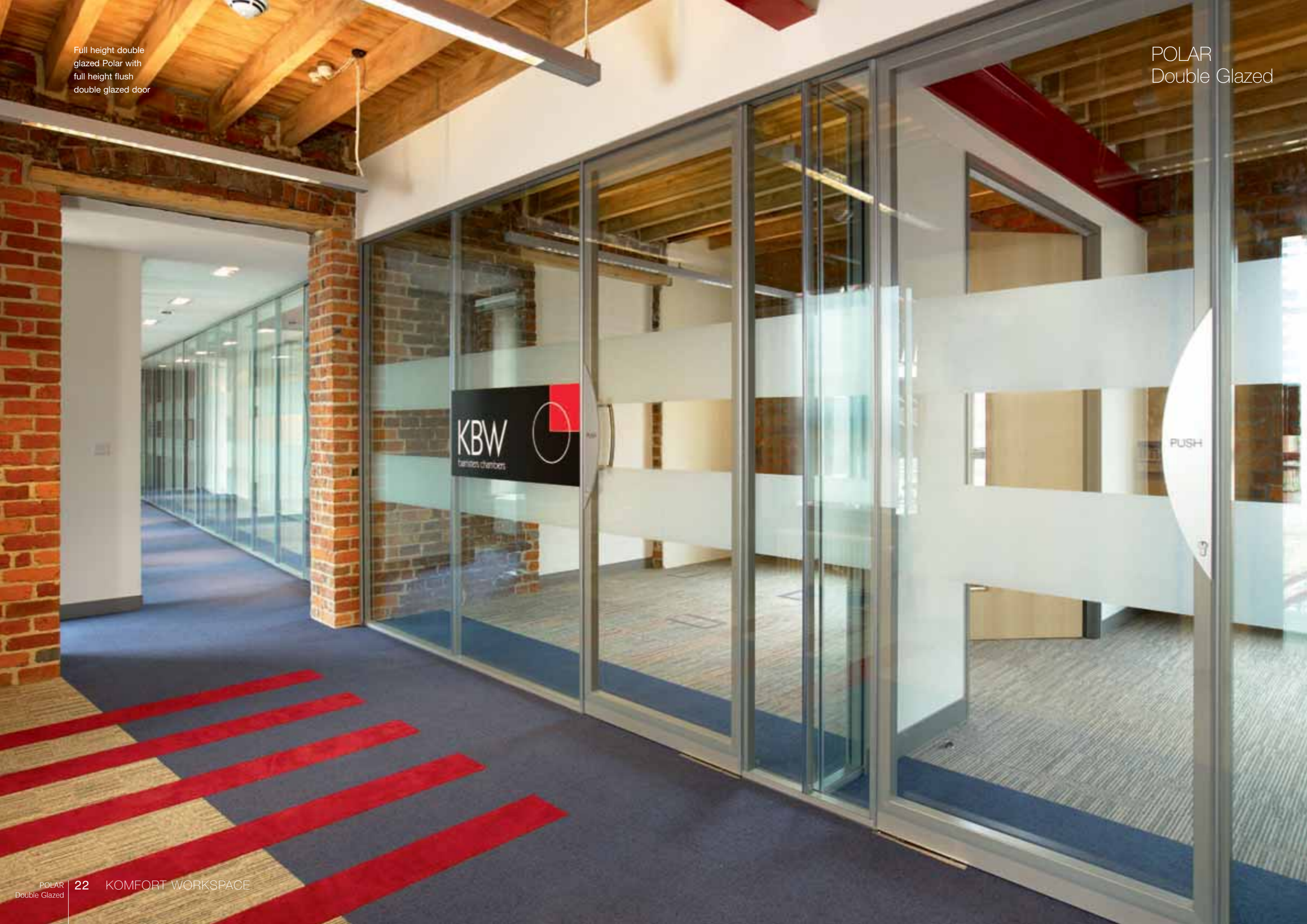
Full height double glazed Polar
incorporating single glazed doors
within full height Halo doorframes

POLAR
Double Glazed



Full height double glazed Polar with full height flush double glazed door

POLAR
Double Glazed



KBW
business chambers

PUSH

Full height double glazed Polar with integral blinds featuring standard height timber doors and rebated overpanel within full height Halo doorframes

POLAR
Double Glazed





Full height faceted double glazed Polar


POLAR Double Glazed

Polar double glazed is a frameless dry vertical jointed system with ghost post mullions


Technical spec at a glance


 **DIMENSIONS:**
Up to 3300mm high

 **FIRE RATINGS:**
N/A


 **ACOUSTICS:**
Up to 49dB (Rw)

 **STRUCTURE:**
Up to severe duty

 **DEFLECTION HEAD (+/-):**
YES

 **WEIGHT Per m² (kg):**
Up to 60.36

 **BLINDS:**
Yes - integral

 **MANIFESTATION:**
Yes

Detailed Polar Double Glazed drawings can be found on pages 30-31. In addition a partitioning product comparison chart can be found on the inside back cover of this brochure.

For further technical specifications and technical drawing downloads go to - www.komfort.com

Full height double glazed Polar incorporating full height DGP25 doorframe containing veneered door and rebated overpanel. To the left of the door is Polar Vision with Polar single glazed at the end of the run

The discreet mullions and framework of double glazed Polar combine contemporary aesthetics, elegance and durability. A tried and tested system that creates a stunning look in any working environment.

POLAR Double Glazed



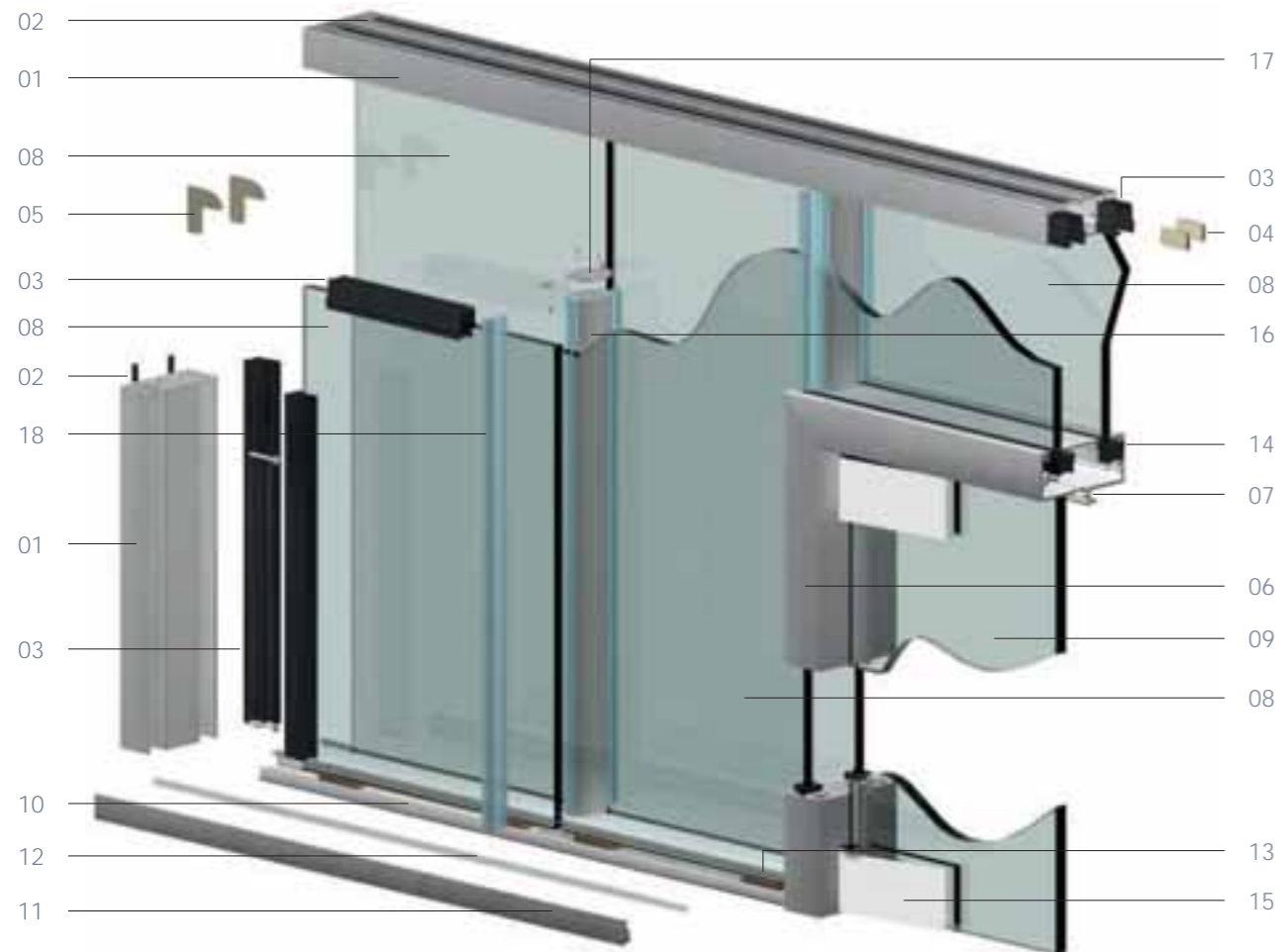
Full height double glazed Polar with bespoke manifestation



Full height double glazed Polar with standard height halo doorframe, double glazed overpanel and glass door

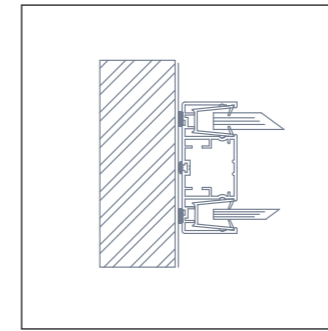


Full height double glazed Polar with banded manifestation

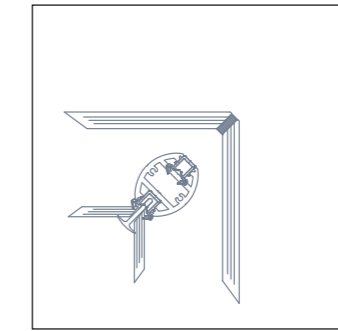


Polar Double Glazed - partitioning system

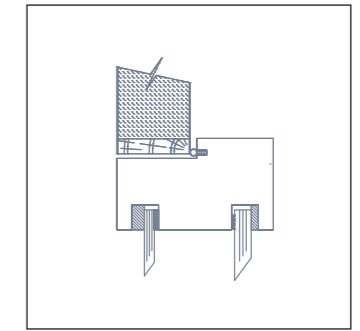
- | | | |
|-----------------------------------|---|------------------------------|
| 01 Head /abutment channel | 09 10mm /12mm toughened safety glass door | 16 Ghost post |
| 02 Abutment seal | 10 Base channel | 17 Ghost post securing plate |
| 03 PVCu glazing channel | 11 Base channel leg | 18 Glass securing nail |
| 04 Straight jointing cleat | 12 Glazing bead | |
| 05 90° jointing cleat | 13 Glass packer | |
| 06 Aluminium door frame | 14 Door frame glazing channel | |
| 07 Door frame seal | 15 Pivot patch fitting | |
| 08 10/12mm toughened safety glass | | |



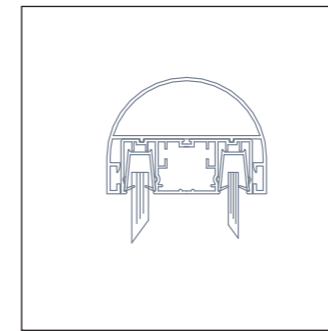
Glazed abutment



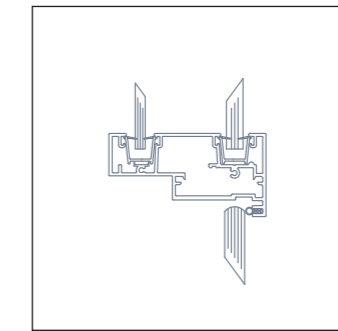
90° glazed junction



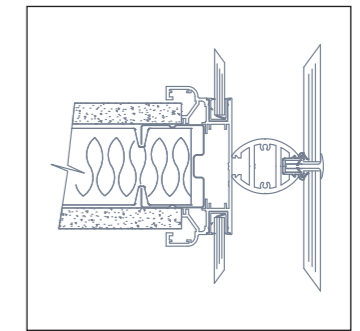
Glazed to timber door frame with timber door



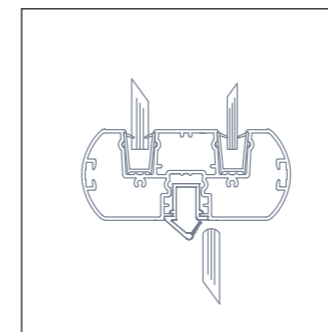
Glazed fair end



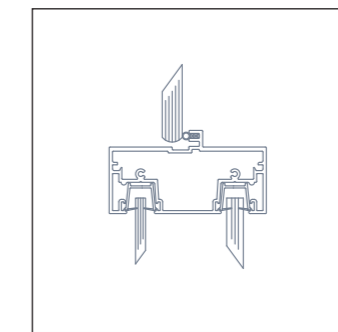
Glazed to aluminium door frame with flush door stop and glass door



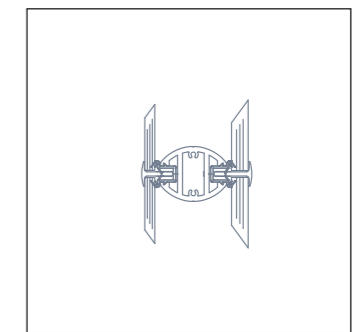
3 way glazed to solid to glazed junction



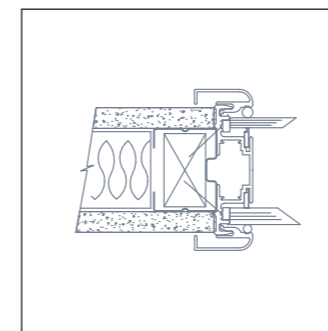
Glazed to halo aluminium door frame with glass door



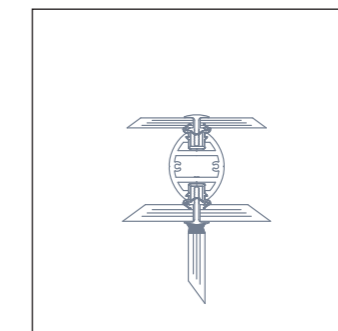
Glazed to aluminium door frame with central door stop and glass door



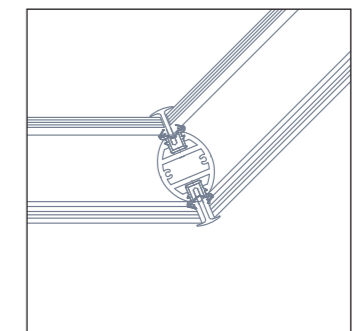
Glazed to glazed junction



Glazing to 75mm plasterboard partition system



3 way double glazed to single glazed



135° glazed junction

These drawings are for guidance only. For comprehensive information please contact our technical department

Faceted Polar Vision with full height applied graphics



POLAR Vision



Polar partitioning product comparison chart can be found on the inside back cover of this brochure

intrigue



Full height Polar Vision with striking
bespoke manifestation

POLAR Vision






Full height Polar Vision incorporating timber panels


POLAR Vision


Polar Vision is a frameless dry vertical jointed system

Technical spec at a glance


 **DIMENSIONS:**
Up to 3000mm high


 **FIRE RATINGS:**
Up to 30/30


 **ACOUSTICS:**
Up to 48dB (Rw)

 **STRUCTURE:**
Up to heavy duty

 **DEFLECTION HEAD (+/-):**
YES

 **WEIGHT Per m² (kg):**
Up to 55.36

 **BLINDS:**
N/A

 **MANIFESTATION:**
Yes

Detailed Polar Vision drawings can be found on pages 44-45. In addition a partitioning product comparison chart can be found on the inside back cover of this brochure.

For further technical specifications and technical drawing downloads go to - www.komfort.com

Full height Polar Vision creating a meeting area



Inspiration and innovation reach new heights with Polar Vision. Its minimal form, confident lines and unrestricted views deliver opulence and exclusivity in any office.

POLAR Vision



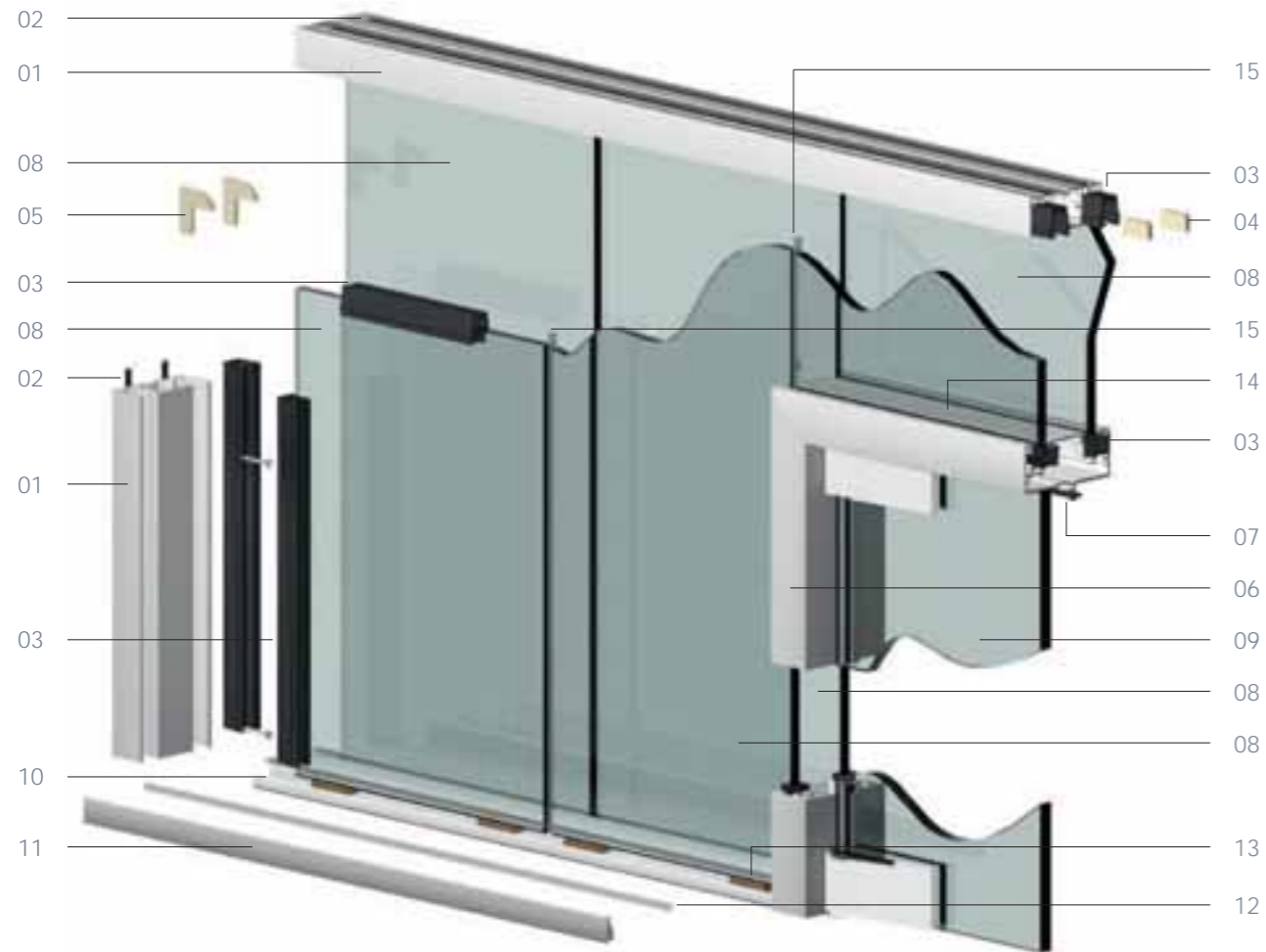
Full height Polar Vision with full height Halo double doorframe incorporating glass doors with patch hinges



Faceted and straight Polar Vision with full height timber doorframe incorporating standard height veneered door and rebated overpanel

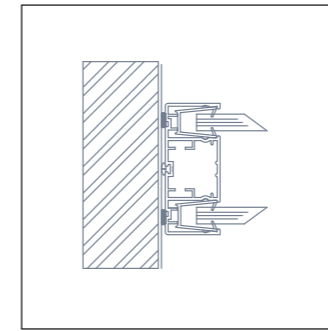


Polar Vision with full height flush double glazed doors with Part M compliant dot manifestation

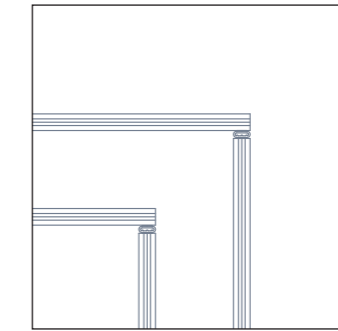


Polar Vision - double glazed partitioning system

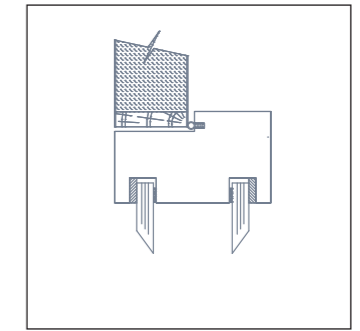
- | | | |
|----------------------------|--|--|
| 01 Head /abutment channel | 08 10/12mm toughened safety glass | 13 Glass packer |
| 02 Abutment seal | 09 10/12mm toughened safety glass door | 14 Door frame glazing channel |
| 03 PVCu glazing channel | 10 Base channel | 15 Self adhesive translucent glazing joint |
| 04 Straight jointing cleat | 11 Base channel leg | |
| 05 90° jointing cleat | 12 Glazing bead | |
| 06 Aluminium door frame | | |
| 07 Door frame seal | | |



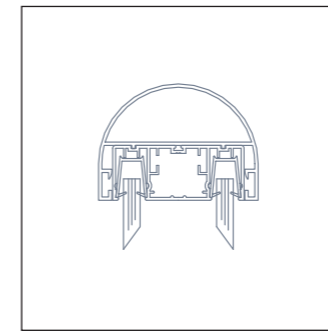
Glazed abutment



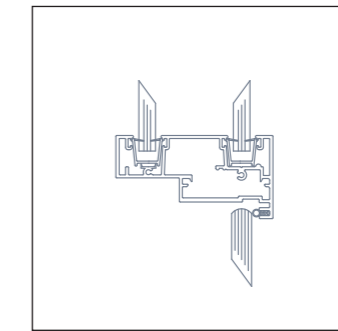
90° glazed junction



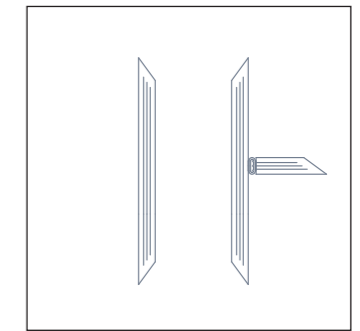
Glazed to timber door frame with timber door



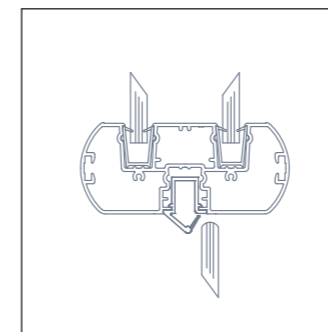
Glazed fair end



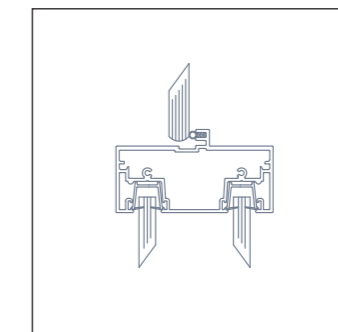
Glazed to aluminium door frame with flush door stop and glass door



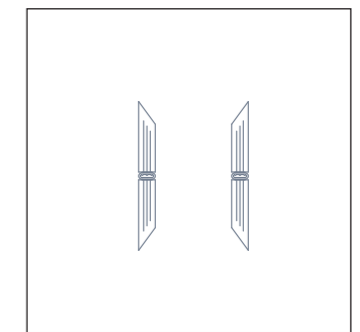
3 way double glazed to single glazed junction



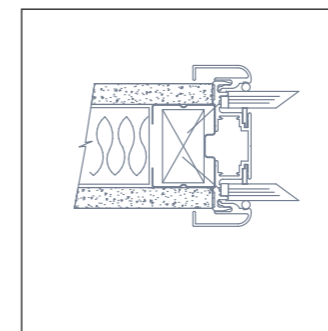
Glazed to halo aluminium door frame with glass door



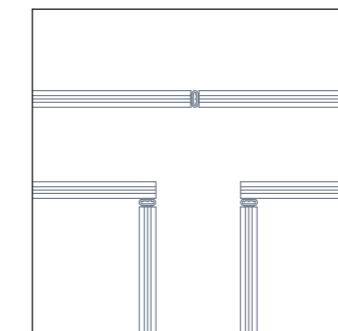
Glazed to aluminium door frame with central door stop and glass door



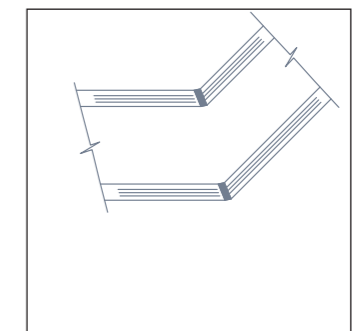
Glazed to glazed junction



Glazing to 75mm plasterboard partition system



3 way double glazed junction



135° glazed junction

These drawings are for guidance only. For comprehensive information please contact our technical department

Full height faceted PolarTec with applied graphics



POLAR Tec



Polar partitioning product comparison chart can be found on the inside back cover of this brochure

robust

Full height PolarTec
with applied film
signage

POLAR Tec



Faceted PolarTec
with full height
applied graphics

Communications

POLAR Tec

PolarTec is a frameless dry vertical jointed system with deflection head

Technical spec at a glance

 DIMENSIONS:
Up to 3000mm high

 FIRE RATINGS:
Up to 30/30


 ACOUSTICS:
Up to 48dB (Rw)

 STRUCTURE:
Up to heavy duty

 DEFLECTION HEAD (+/-):
YES

 WEIGHT Per m² (kg):
Up to 55.36

 BLINDS:
N/A

 MANIFESTATION:
Yes

Detailed PolarTec drawings can be found on pages 54-55. In addition a partitioning product comparison chart can be found on the inside back cover of this brochure.

For further technical specifications and technical drawing downloads go to - www.komfort.com



Displaying the breathtaking appearance of its contemporaries, PolarTec provides the added security of outstanding performance for those exceptionally demanding applications.

POLAR Tec



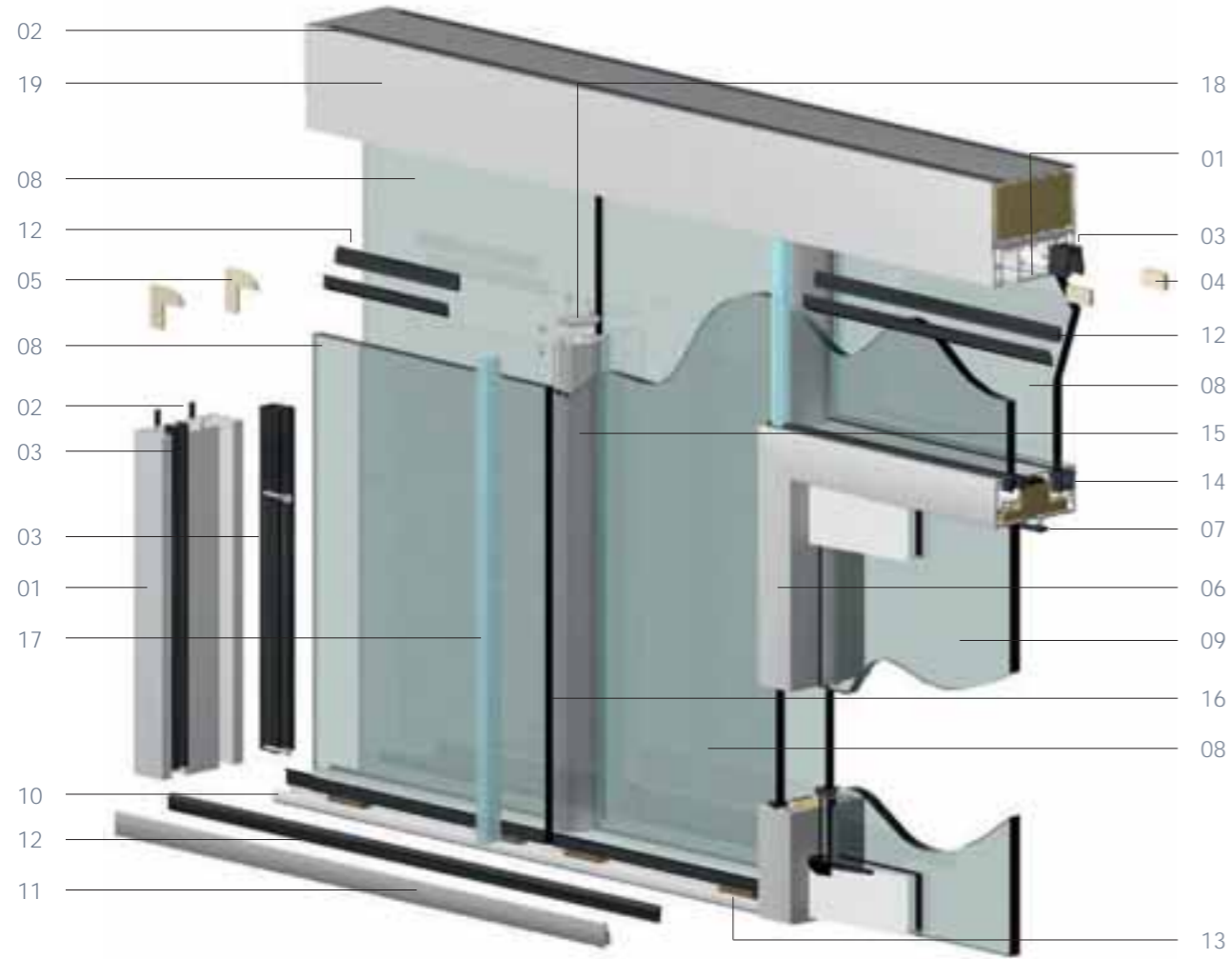
Full height PolarTec



Full height faceted PolarTec with applied graphics

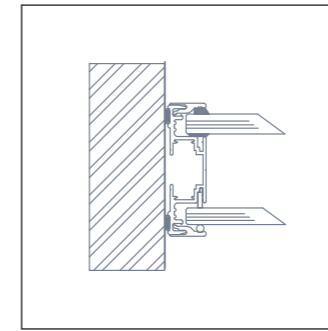


Full height PolarTec with dotted applied manifestation

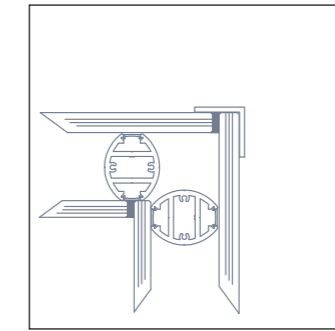


PolarTec - double glazed partitioning system

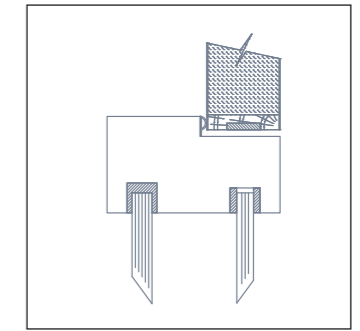
- | | | |
|----------------------------|--|----------------------------------|
| 01 Head / abutment channel | 08 10/12mm toughened safety glass | 13 Glass packer |
| 02 Abutment seal | 09 10/12mm toughened safety glass door | 14 Door frame glazing channel |
| 03 PVCu glazing channel | 10 Base channel | 15 Ghost post |
| 04 Straight jointing cleat | 11 Base channel leg | 16 Plastic glazing joint pocket |
| 05 90° jointing cleat | 12 Glazing bead | 17 Plastic glazing joint nail |
| 06 Aluminium door frame | | 18 Ghost post fixing plate |
| 07 Door frame seal | | 19 Outer deflection head channel |



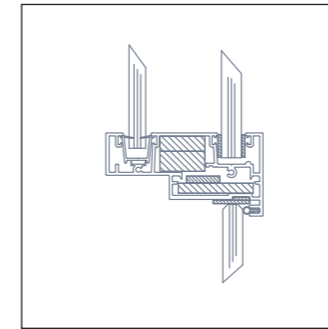
Glazed breakdown abutment



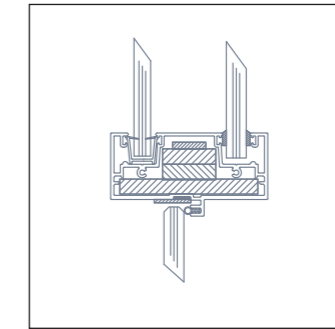
90° external glazed junction



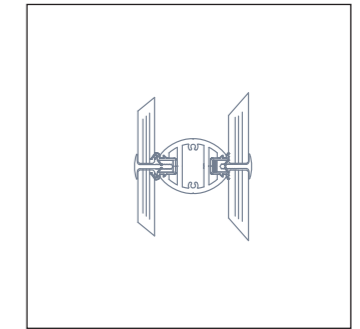
Glazed to timber door frame with timber door



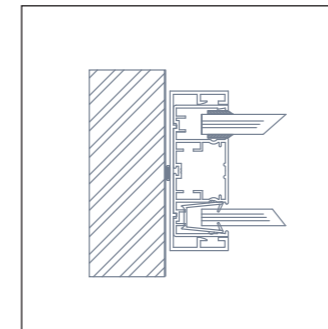
Glazed to aluminium door frame with flush door stop and glass door



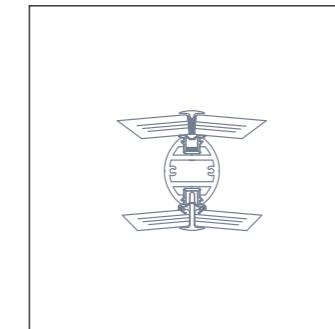
Glazed to aluminium door frame with central door stop and glass door



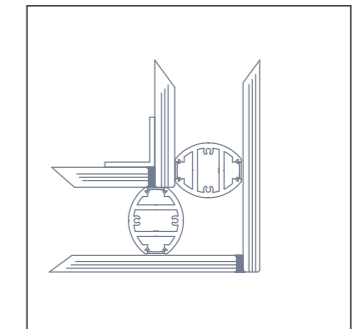
Glazed to glazed junction



Glazing abutment



10° faceted glazed junction



90° internal glazed junction

Full height Polar 100 incorporating glazing with solid elements and full height PSQ4 Polar 100 doorframe containing a full height door with vision panels

POLAR 100



Polar partitioning product comparison chart can be found on the inside back cover of this brochure



sleek